
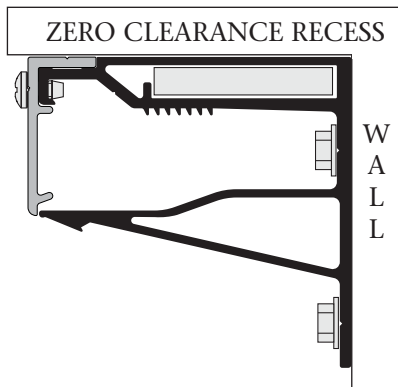
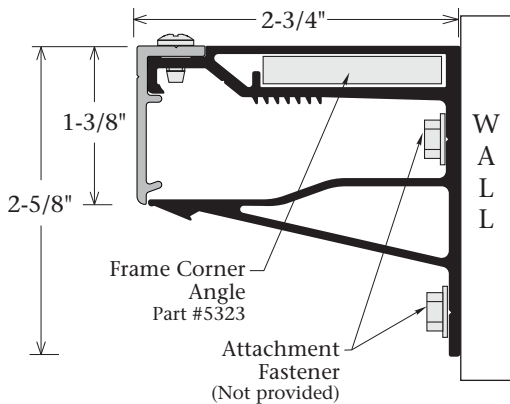


# NEW PRODUCT UPDATE: Front Load Wall Mount Tension Frame

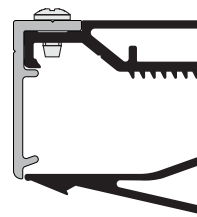
	Part Number	Part	Length	Finish
	2080	Front Load Wall Mount Tension Frame	24'-6"	Mill
	2078	Front Load Wall Mount Tension Frame Cover	24'-6"	Mill
	2171	Front Load Wall Mount Tension Frame Support	20'-0"	Mill

### Mounting Options:

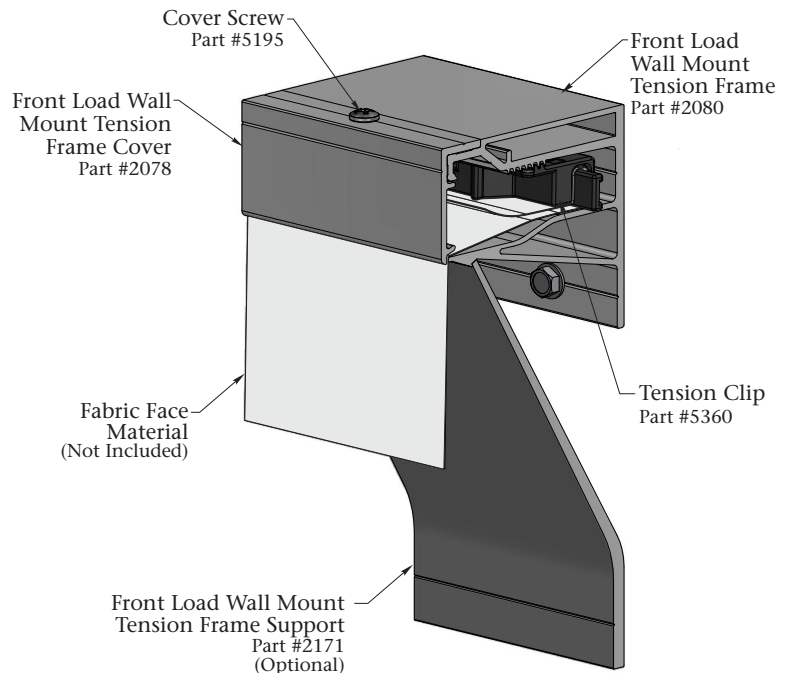
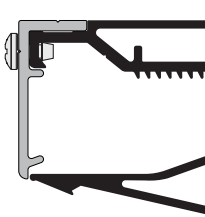


### Cover Screw Attachment Options:

Outside frame



Front side frame



## Features & Benefits

- Provides ease of tensioning and zero clearance to external wall
- Unlimited frame size potential
- Two (2) options for cover screw placement
  - Outside or front side of the frame
- Mounts directly to the wall

**Note:** The Front Load Wall Mount Tension Frame requires the Wall Mount Tension Tool, Part #5137.